



Red: PAINTED ITEMS
Blue: KITS

1. All labeled components are to be assembled before shipment unless otherwise noted.
2. All bearings are to be pressed in with force applied to outer ring only.
3. All hardware to be torqued to specs listed in chart below.
4. Special notes if any are shown below.

PART NO.	QTY.	DESCRIPTION	PART NO.	QTY.	DESCRIPTION
01-0011	1	1/2 -13 UNC x 3 Bolt	09-4076	1	BUMPER LORD J-11729-195
01-1035	2	1/4 -20 UNC x 2 1/4 Bolt	09-4092	2	BUMPER
01-1321	1	1/2 -13 UNC x 2 1/2 Bolt	09-5046	4	Nitro Plus Footpad
01-1381	1	1/2 -13 UNC x 4 Bolt Gr 8	09-8018	2	GUIDE ROD BUSHING
01-1490	2	5/8-11 UNC x 2 Bolt	09-8135	1	T-knob, Yellow 5/16-18
01-1560	1	1/2 -13 UNC x 1 1/2 Bolt	09-8329	2	WIDE PULLEY 3" DIA
01-1565	2	1/2 -13 UNC x 5 Bolt	09-8330	2	REDIRECTIONAL PULLEY 4"
01-1566	1	1/2 -13 UNC x 5 1/2 Bolt	09-8995	2	S3AA LEG PAD BUSHING
01-2205	1	5/8-11 UNC x 2 3/4 Bolt Cutoff	09-8996	2	S3AA LEG PAD BUSHING
01-4035	2	1/4 -20 UNC x 1 1/4 Wiz Lock Bolt	09-9530	2	GRIP RING .905 ID (FOR 7/8" BAR)
01-4040	8	BOLT BH 1/2 -13 x 1 1/4"	09-9560	2	GRIP CAP .905 ID (FOR 7/8" BAR)
02-3055	8	SCREW, SET, 1/4 -28 UNF x 1/4	10-2031	3	SPRING, COMP. .480 X 2.500 X .045
02-6058	1	SCREW, SET, 1/2 -13 UNC x 3/4	12-1026	2	DECAL, KEEP HANDS AWAY
02-9071	2	3/8 -16 UNC x 3 3/4 Bolt	12-1144	1	S3HAA SEAT BACK DECAL
02-9210	4	3/8 -16 UNC x 1 Bolt	12-1148	1	NITRO HAA RANGE DECAL
02-9220	4	3/8 -16 UNC x 1 1/4 Bolt	12-1165	2	SELECTOR PIN WARNING DECAL
03-1035	3	3/8" Lock Nut	12-1380	1	DECAL PATENT MEDFIT MADE IN USA
03-1055	12	1/2" Nylon Insert Lock Nut-Thin	12-5611	1	Nautilus Transfer Decal - Large BLACK
03-1067	3	5/8" Lock Nut	12-6046	1	Made In USA - Seat Frames
03-2020	2	1/4" Lock Nut	12-6078	1	PLACARD S9AA
03-4142	2	5/16" Jam Nut	12-6079	1	PLACARD BACK S9AA / S9RT
03-4290	2	1/4" Whiz Nut	12-6100	1	Decal, Parts Diagram EVO AA
04-5206	10	WASHER, FLAT, 3/8" SAE	12-7050	1	EVO Weight Selector Pin Decal
04-5207	8	WASHER, FLAT, 1/2" SAE	17-1163	2	GUIDE ROD
04-5208	1	WASHER, FLAT, 5/8" SAE	18-0030 (174")	1	MECTROL BELT 1" (174")
05-1190	2	Bronze Bushing	19-1291	1	SERIAL NO. DECAL
05-1200	2	05-1200 BRASS BUSHING	19-1355	2	FOOT GUARD PLATE
06-2010	1	CONNECTIN LINK RF2040	19-1575	2	BEARING PILLOW BLOCK 1 INCH
06-5045	1	NYLON BELT ROLLER	32-0022	1	UPH. PAD BACK LONG
06-8166	2	SNAP RING EXTERNAL 1.875 ID	45-1052	2	.755 ID BUSHING (IGUS REPLACEMENT)
06-8275	1	Snap Ring, 17mm Heavy External	56-0543	2	BRACKET, BELT CLAMP S9AA, S9RT
07-1160	2	Roller Bearing 7516	57-0611	1	Pocket, Peel & Stick, Cardio Schematic
07-5440	2	IDLER PULLEY SPACER	91-999	1	Paint (1.5 lbs)
07-7084	2	3/8 X 1 ROLL PIN	95-0472	1	Kit 3, EVO Shields (95-0472 for AA and RT)
07-7095	2	3/8 X 1 3/4 ROLL PIN	BF612B	1	NITRO PLUS AA BACKFRAME
07-8025	1	CLEVIS PIN, 5/16" X 1 1/2"	LK634	1	S3HAA SELECTOR ASSEMBLY
07-8066	1	SELECTOR PIN	LK635	1	S3HAA IDLER LINKAGE ASSY
07-8135	1	5/16" RUE RING COTTER - RUE-10	LK639B	1	AA RANGE SELECTOR LEVER
07-8280	1	LOCK PIN	MA634	1	RIGHT MOVEMENT ARM
07-8359	2	IDLER PULLEY SPACER	MA635	1	LEFT MOVEMENT ARM
07-8363	2	IDLER PULLEY SPACER	MA636	2	MOVEMENT ARM SWIVEL
07-9029	1	S3/S5AA CONTROL LINK	OPT-WT-26	1	EVO 200 lb Weight System
07-9036	1	SEAT BACK SLEEVE S3AA	SB602B	1	S3HAA SEAT BACK
07-9121	2	MOVEMENT ARM SHAFT	SF615	1	NITRO HAA SEAT FRAME
07-9269	1	WEIGHTSTACK SPACER	UP8146	2	NITRO HAA KNEE PAD
07-9433	1	SLEEVE S3AA HANDLE	UP8147	1	SEAT BOTTOM
07-9607	2	MOLDED BEARING CUP			
07-9610	2	LINKAGE BUSHING			
07-9850	2	1" BEARING MOLDED FLANGE			
08-3075	1	BEARING SUPPORT SPACER			
08-6075	3	LINKAGE SPACER			
08-7063	1	BELT KEEPER ATTACHMENT 1"			
08-7064	1	BELT LOCKING PLUG			
09-1021	1	1 1/8 X 5 VINYL GRIP			
09-1102	4	Grip 1 1/2 x 5 1/2 Open			
09-1112	2	7/8 X 5 GRIP			
09-2040	4	1 1/2 X 2 11 GA FRAME PLUG			
09-2090	3	2 X 3 X 11 GA FRAME PLUG			
09-3055	2	2 X 4 11 GA FRAME PLUG			



Bolt Torque Specifications		
Size	Grade 5	Grade 8
	Torque (ft-lbs)	Torque (ft-lbs)
1/4-20	8	12
1/4-28	10	14
5/16-18	17	25
3/8-16	30	45
7/16-14	50	70
1/2-13	75	110
1/2-20	90	120
5/8-11	150	220
5/8-18	180	240

Customer Service & Parts 800/ 235-2233
General Parts Requests: parts@medfitsys.com
Warranty Field Service Requests: servicerequest@medfitsys.com
Med-Fit Systems, Inc. 800/ 831-7665

www.medfitsystems.com

S9AA
REV M



Red: PAINTED ITEMS
Blue: KITS

1. All labeled components are to be assembled before shipment unless otherwise noted.
2. All bearings are to be pressed in with force applied to outer ring only.
3. All hardware to be torqued to specs listed in chart below.
4. Special notes if any are shown below.



Customer Service & Parts 800/ 235-2233
 General Parts Requests: parts@medfitsys.com
 Warranty Field Service Requests: servicerequest@medfitsys.com
 Med-Fit Systems, Inc. 800/ 831-7665

www.medfitsystems.com

Bolt Torque Specifications		
Size	Grade 5	Grade 8
	Torque (ft-lbs)	Torque (ft-lbs)
1/4-20	8	12
1/4-28	10	14
5/16-18	17	25
3/8-16	30	45
7/16-14	50	70
1/2-13	75	110
1/2-20	90	120
5/8-11	150	220
5/8-18	180	240

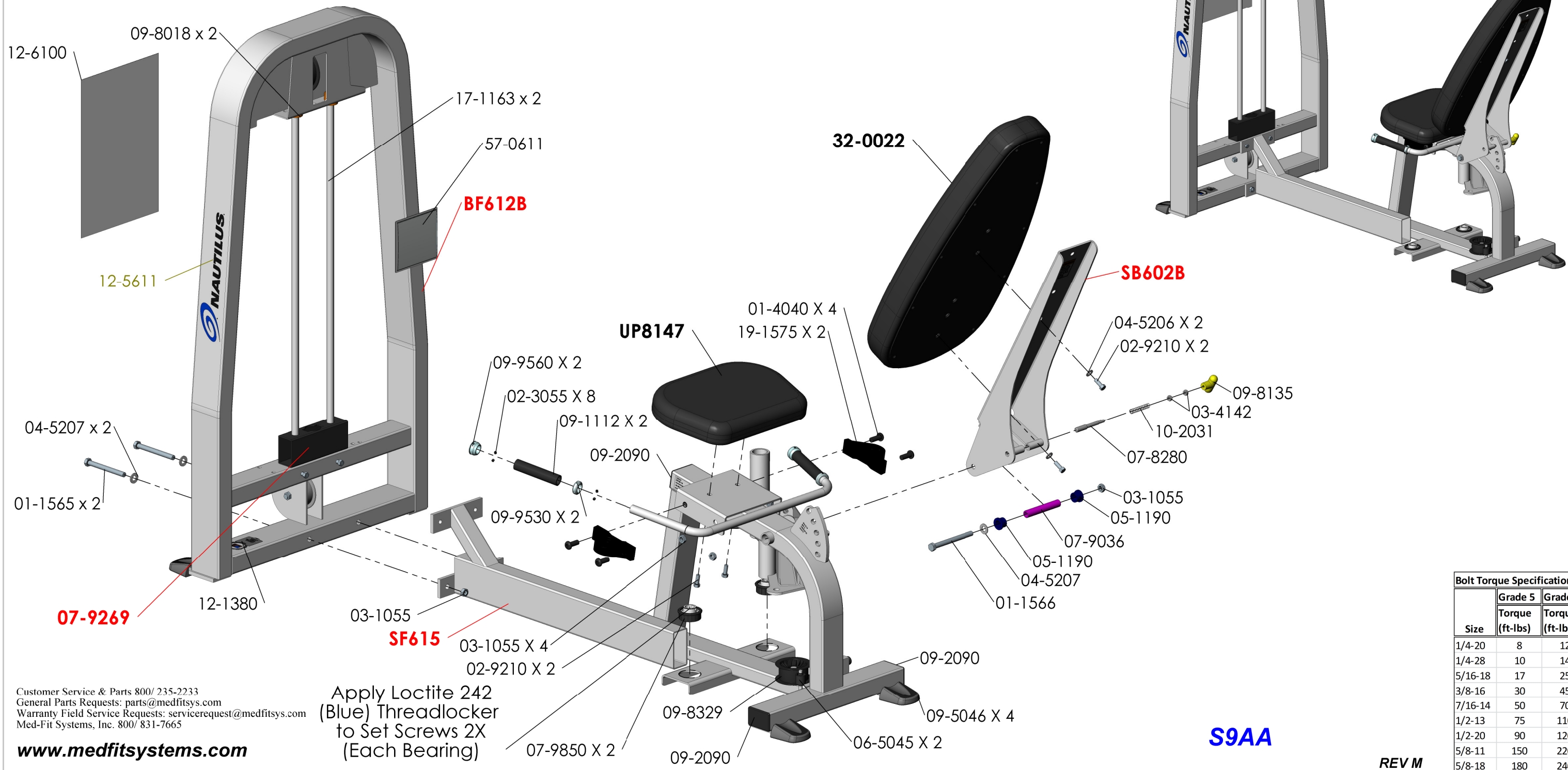
S9AA

REV M



Red: PAINTED ITEMS
Blue: KITS

1. All labeled components are to be assembled before shipment unless otherwise noted.
2. All bearings are to be pressed in with force applied to outer ring only.
3. All hardware to be torqued to specs listed in chart below.
4. Special notes if any are shown below.



Apply Loctite 242
 (Blue) Threadlocker
 to Set Screws 2X
 (Each Bearing)

Customer Service & Parts 800/ 235-2233
 General Parts Requests: parts@medfitsys.com
 Warranty Field Service Requests: servicerequest@medfitsys.com
 Med-Fit Systems, Inc. 800/ 831-7665

www.medfitsystems.com

S9AA

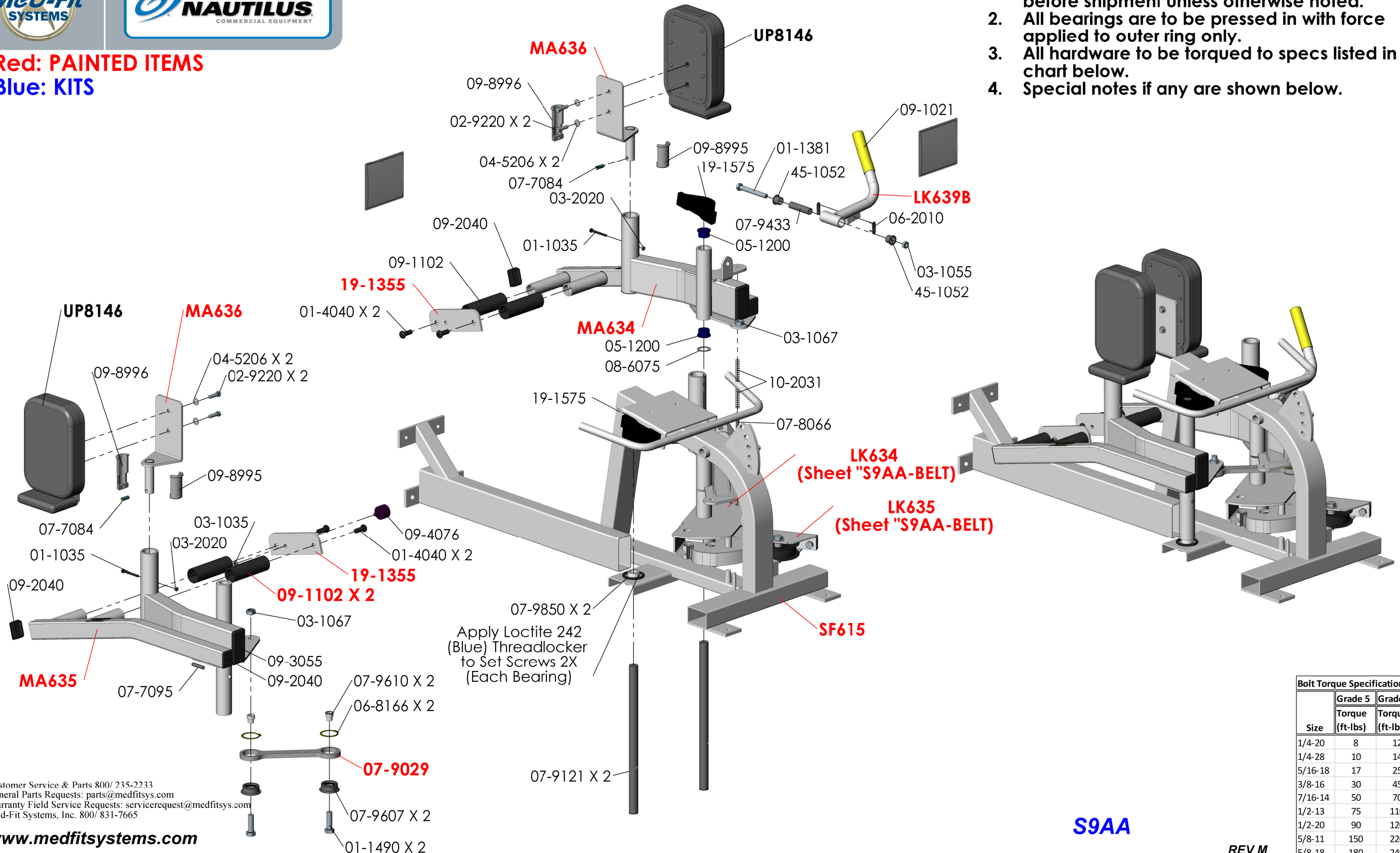
REV M

Bolt Torque Specifications		
Size	Grade 5	Grade 8
	Torque (ft-lbs)	Torque (ft-lbs)
1/4-20	8	12
1/4-28	10	14
5/16-18	17	25
3/8-16	30	45
7/16-14	50	70
1/2-13	75	110
1/2-20	90	120
5/8-11	150	220
5/8-18	180	240



Red: PAINTED ITEMS
Blue: KITS

1. All labeled components are to be assembled before shipment unless otherwise noted.
2. All bearings are to be pressed in with force applied to outer ring only.
3. All hardware to be torqued to specs listed in chart below.
4. Special notes if any are shown below.



Customer Service & Parts 800/ 235-2233
General Parts Requests: parts@medfitsys.com
Warranty Field Service Requests: servicerequest@medfitsys.com
Med-Fit Systems, Inc. 800/ 831-7665

www.medfitsystems.com

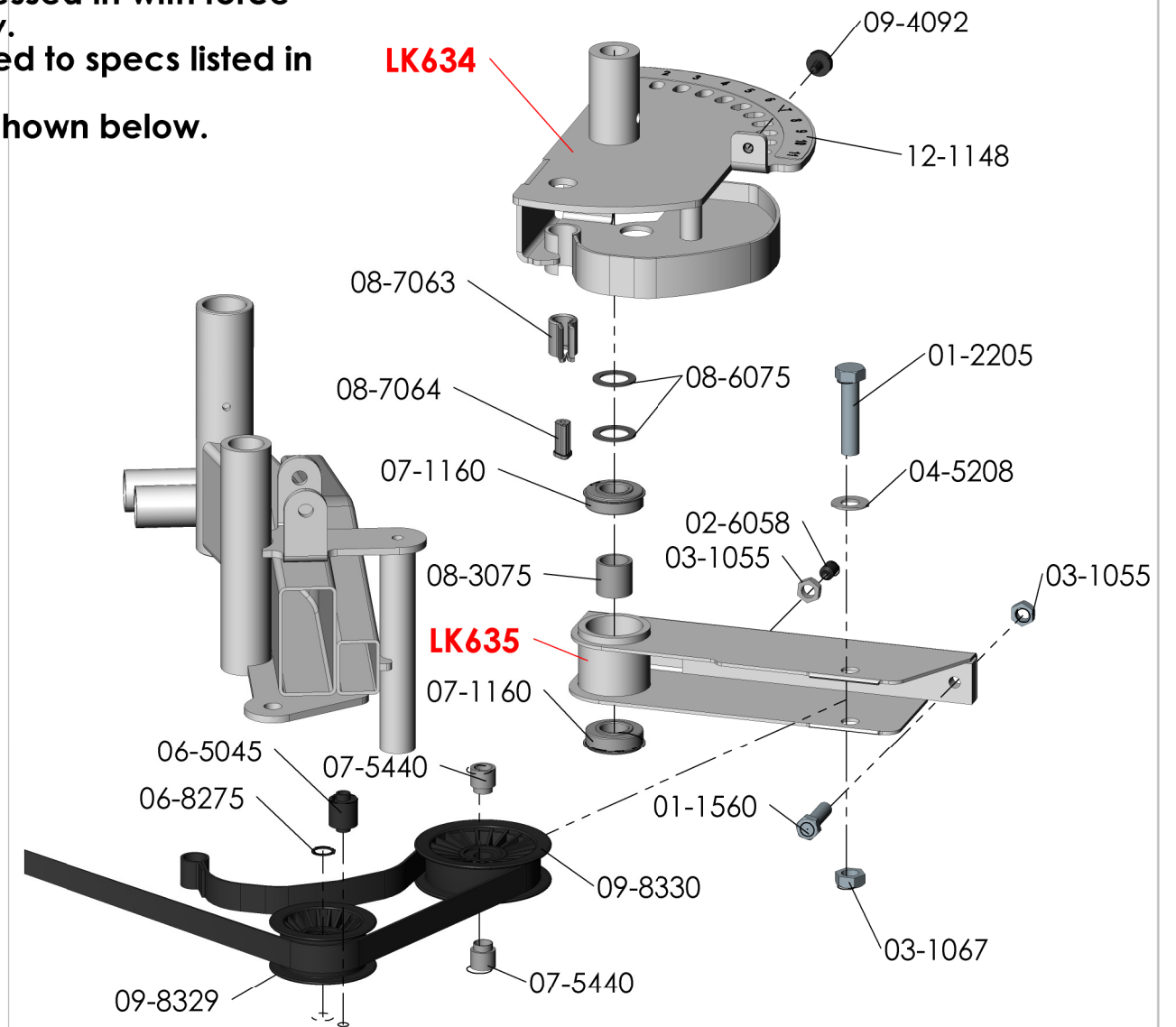
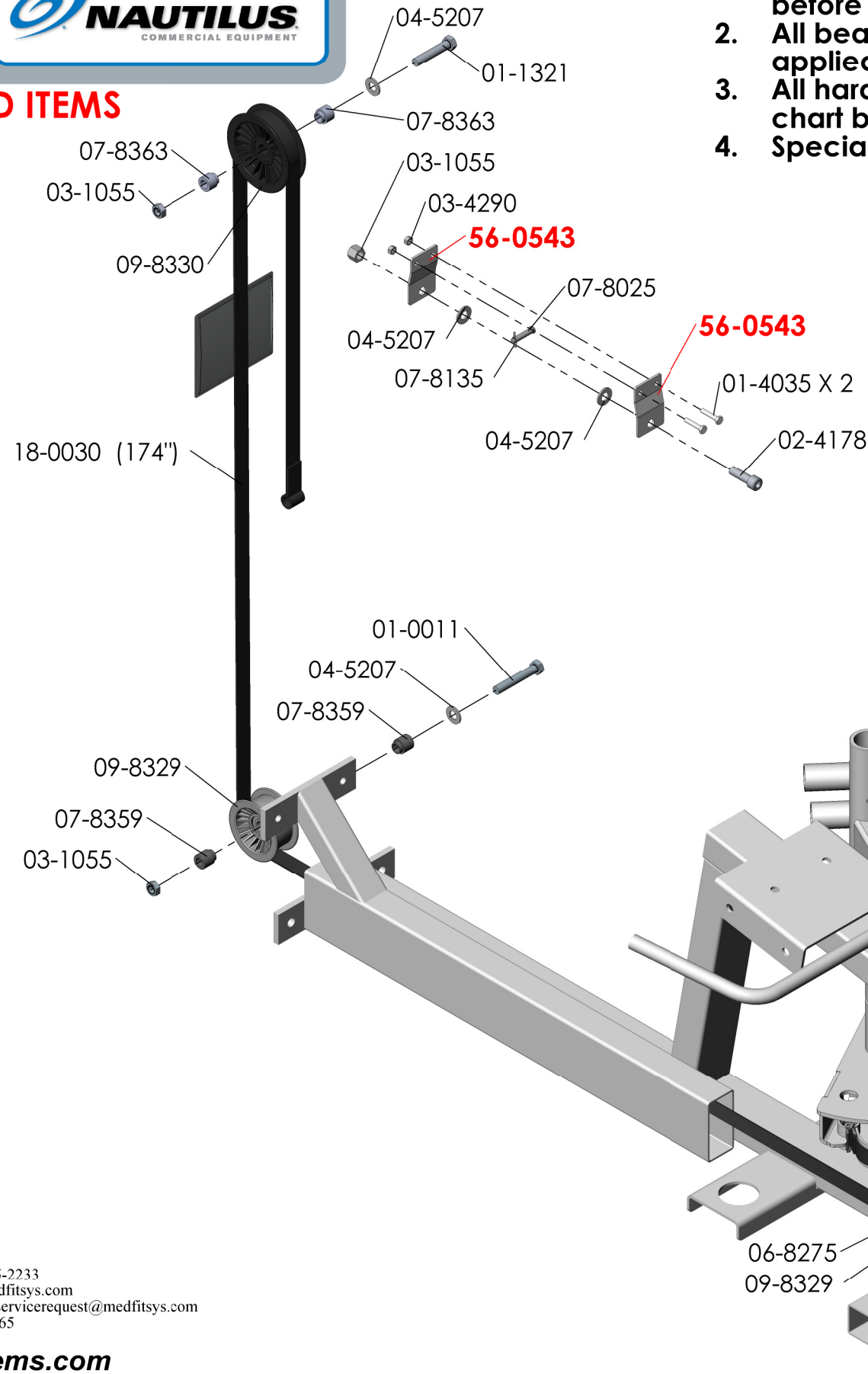
Bolt Torque Specifications		
Size	Grade 5	Grade 8
	Torque (ft-lbs)	Torque (ft-lbs)
1/4-20	8	12
1/4-28	10	14
5/16-18	17	25
3/8-16	30	45
7/16-14	50	70
1/2-13	75	110
1/2-20	90	120
5/8-11	150	220
5/8-18	180	240

REV M



Red: PAINTED ITEMS
Blue: KITS

1. All labeled components are to be assembled before shipment unless otherwise noted.
2. All bearings are to be pressed in with force applied to outer ring only.
3. All hardware to be torqued to specs listed in chart below.
4. Special notes if any are shown below.



Customer Service & Parts 800/ 235-2233
 General Parts Requests: parts@medfitsys.com
 Warranty Field Service Requests: servicerequest@medfitsys.com
 Med-Fit Systems, Inc. 800/ 831-7665

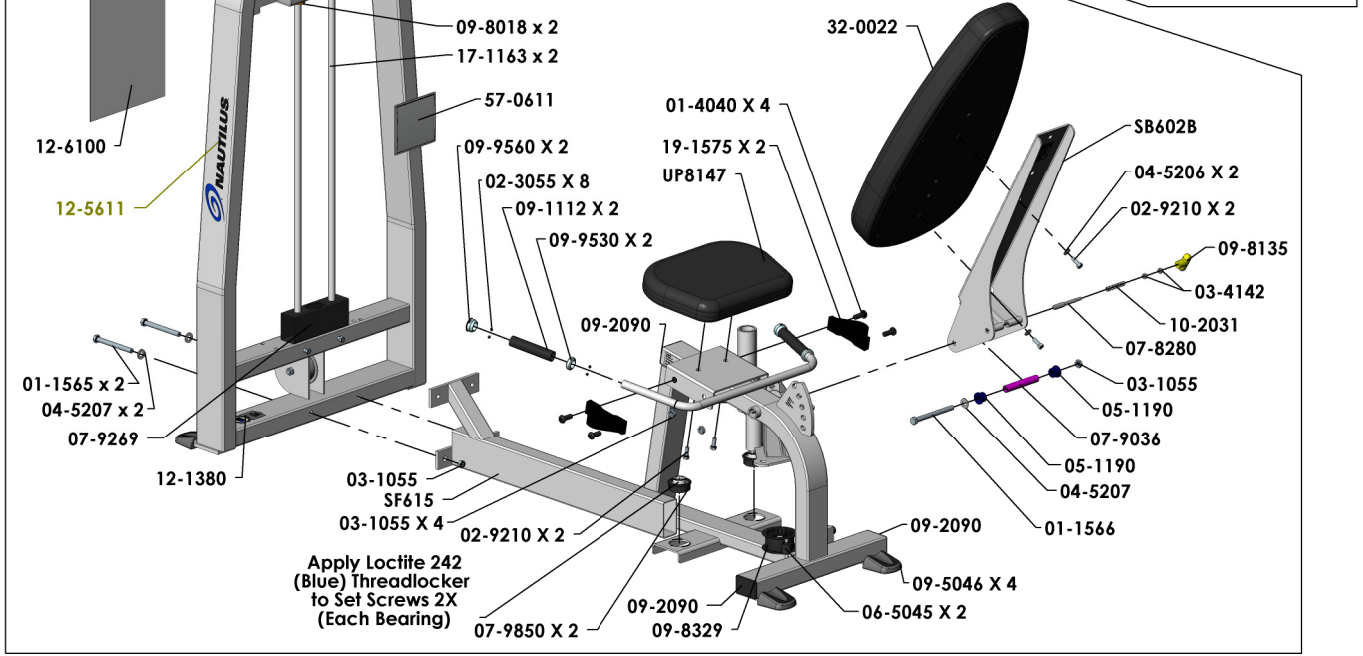
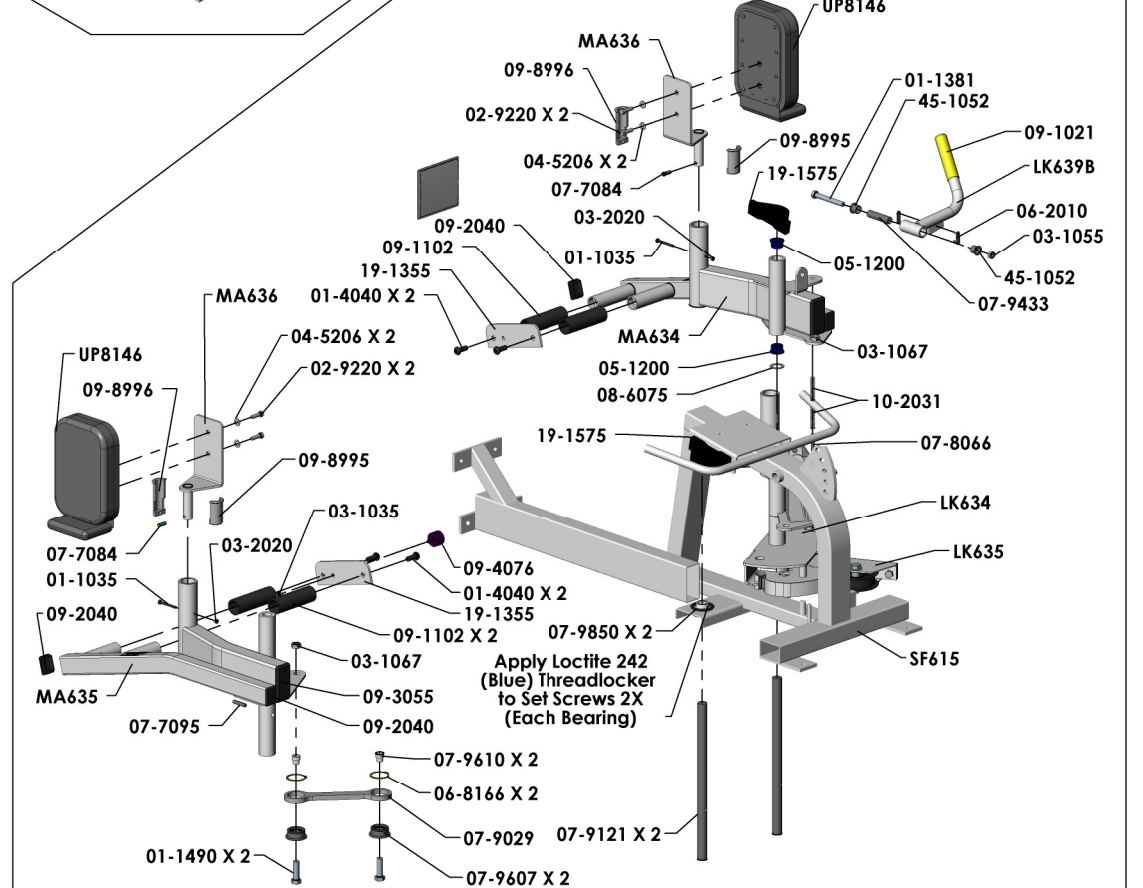
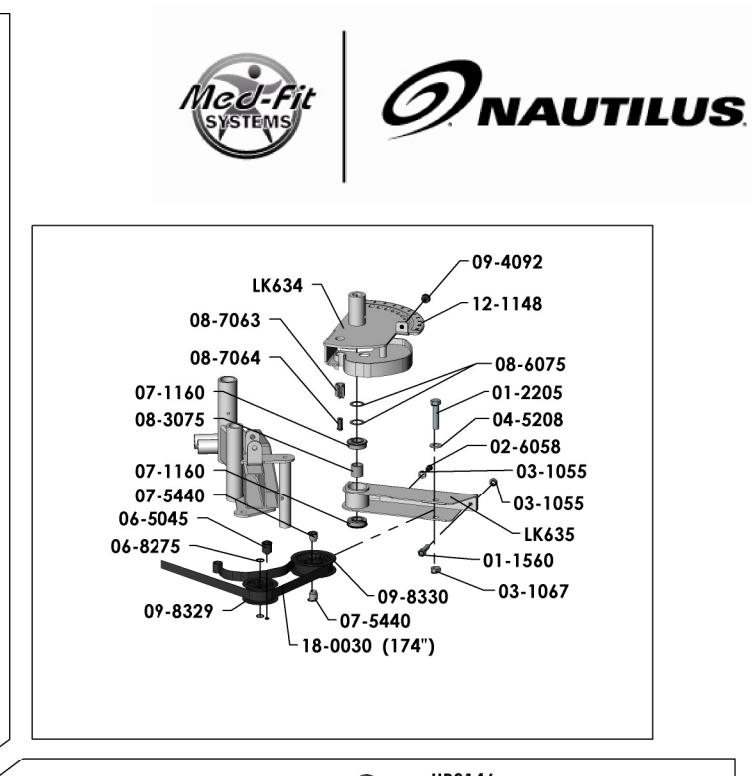
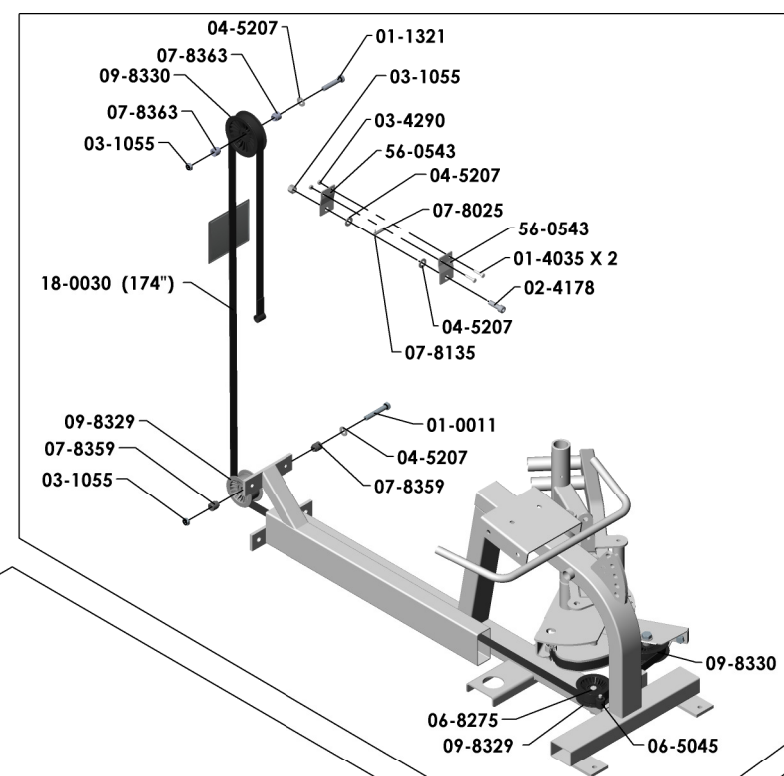
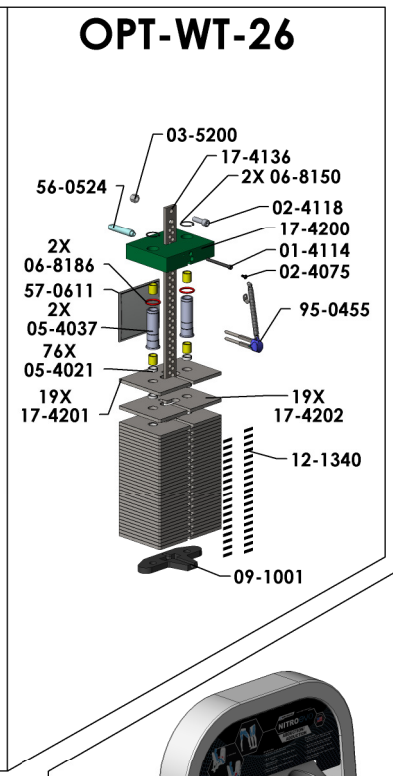
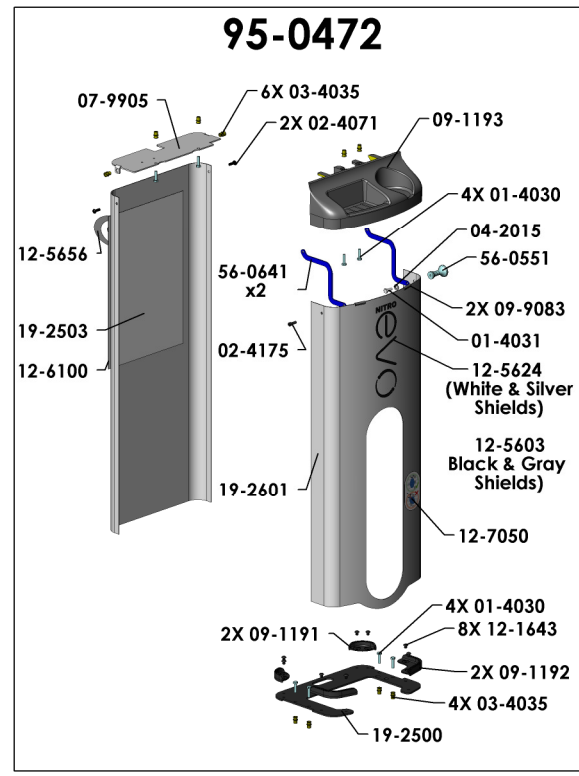
www.medfitsystems.com

Bolt Torque Specifications		
Size	Grade 5	Grade 8
	Torque (ft-lbs)	Torque (ft-lbs)
1/4-20	8	12
1/4-28	10	14
5/16-18	17	25
3/8-16	30	45
7/16-14	50	70
1/2-13	75	110
1/2-20	90	120
5/8-11	150	220
5/8-18	180	240

S9AA

REV M

Number	Default/QTY.	DESCRIPTION
01-0011	1	1/2 -13 UNC x 3 Bolt
01-1035	2	1/4 -20 UNC x 2 1/4 Bolt
01-1321	1	1/2 -13 UNC x 2 1/2 Bolt
01-1381	1	1/2 -13 UNC x 4 Bolt Gr 8
01-1490	2	5/8-11 UNC x 2 Bolt
01-1560	1	1/2 -13 UNC x 1 1/4 Bolt
01-1565	2	1/2 -13 UNC x 5 Bolt
01-1566	1	1/2 -13 UNC x 5 1/2 Bolt
01-2205	1	5/8-11 UNC x 2 1/2 Bolt Cutoff
01-4035	2	1/4 -20 UNC x 1 1/4 Wiz Lock Bolt
01-4040	8	BOLT BH. 1/2 -13 x 1 1/4"
02-3055	8	SCREW SET 1/4 -28 UNF x 1/4"
02-6058	1	SCREW SET 1/2 -13 UNC x 3/4"
02-9071	2	3/8 -16 UNC x 3 1/2 Bolt
02-9210	4	3/8 -16 UNC x 1 Bolt
02-9220	4	3/8 -16 UNC x 1 1/4 Bolt
03-1035	3	3/8" Lock Nut
03-1055	12	1/2" Nylon Insert Lock Nut-Thin
03-1067	3	5/8" Lock Nut
03-2020	2	1/4" Lock Nut
03-4142	2	5/16" Jam Nut
03-4290	2	1/4" Whiz Nut
04-5206	10	WASHER, FLAT, 3/8" SAE
04-5207	8	WASHER, FLAT, 1/2" SAE
04-5208	1	WASHER, FLAT, 5/8" SAE
05-1190	2	Bronze Bushing
05-1200	2	05-1200 BRASS BUSHING
06-2010	1	CONNECTIN LINK RF2040
06-5045	1	NYLON BELT ROLLER
06-8166	2	SNAP RING EXTERNAL 1.875 ID
06-8275	1	Snap Ring, 17mm Heavy External
07-1160	2	Roller Bearing 7516
07-5440	2	IDLER PULLEY SPACER
07-7084	2	3/8 X 1 ROLL PIN
07-7095	2	3/8 X 1 3/4 ROLL PIN
07-8025	1	CLEVIS PIN, 5/16" X 1 1/2"
07-8066	1	SELECTOR PIN
07-8135	1	5/16" RUE RING COTTER - RUE-10
07-8280	1	LOCK PIN
07-8359	2	IDLER PULLEY SPACER
07-8363	2	IDLER PULLEY SPACER
07-9029	1	S3/S5AA CONTROL LINK
07-9036	1	SEAT BACK SLEEVE S3AA
07-9121	2	MOVEMENT ARM SHAFT
07-9269	1	WEIGHTSTACK SPACER
07-9433	1	SLEEVE S3AA HANDLE
07-9607	2	MOLDED BEARING CUP
07-9610	2	LINKAGE BUSHING
07-9850	2	1" BEARING MOLDED FLANGE
08-3075	1	BEARING SUPPORT SPACER
08-6075	3	LINKAGE SPACER
08-7063	1	BELT KEEPER ATTACHMENT 1"
08-7064	1	BELT LOCKING PLUG
09-1021	1	1 1/8 X 5 VINYL GRIP
09-1102	4	Grip 1 1/2 X 5 1/2 Open
09-1112	2	7/8 X 5 GRIP
09-2040	4	1 1/2 X 2 11 GA FRAME PLUG
09-2090	3	2 X 3 X 11 GA FRAME PLUG
09-3055	2	2 X 4 11 GA FRAME PLUG
09-4076	1	BUMPER LORD J-11729-195
09-4092	2	BUMPER
09-5046	4	Nitro Plus Footpad
09-8018	2	GUIDE ROD BUSHING
09-8135	1	T-knob, Yellow 5/16-18
09-8329	2	WIDE PULLEY 3" DIA
09-8330	2	REDIRECTIONAL PULLEY 4"
09-8995	2	S3AA LEG PAD BUSHING
09-8996	2	S3AA LEG PAD BUSHING
09-9530	2	GRIP RING .905 ID (FOR 7/8" BAR)
09-9560	2	GRIP CAP .905 ID (FOR 7/8" BAR)
10-2031	3	SPRING, COMP. .480 X 2.500 X .045
12-1026	2	DECAL, KEEP HANDS AWAY
12-1144	1	S3HAA SEAT BACK DECAL
12-1148	1	NITRO HAA RANGE DECAL
12-1165	2	SELECTOR PIN WARNING DECAL
12-1380	1	DECAL PATENT MEDFIT MADE IN USA
12-5611	1	Nautilus Transfer Decal - Large BLACK
12-6046	1	Made In USA - Seat Frames
12-6078	1	PLACARD S9AA
12-6079	1	PLACARD BACK S9AA / S9RT
12-6100	1	Decal, Parts Diagram EVO AA
12-7050	1	EVO Weight Selector Pin Decal
17-1163	2	GUIDE ROD
18-0030 (174")	1	MECTROL BELT 1" (174")
19-1291	1	SERIAL NO. DECAL
19-1355	2	FOOT GUARD PLATE
19-1575	2	BEARING PILLOW BLOCK 1 INCH
32-0022	1	UPH. PAD BACK LONG
45-1052	2	.755 ID BUSHING (IGUS REPLACEMENT)
56-0543	2	BRACKET, BELT CLAMP S9AA, S9RT
57-0611	1	Pocket, Peel & Stick, Cardio Schematic
91-999	1	Paint (1.5 lbs)
95-0472	1	Kit 3, EVO Shields (95-0472 for AA and RT)
BF612B	1	NITRO PLUS AA BACKFRAME
LK634	1	S3HAA SELECTOR ASSEMBLY
LK635	1	S3HAA IDLER LINKAGE ASSY
LK639B	1	AA RANGE SELECTOR LEVER
MA634	1	RIGHT MOVEMENT ARM
MA635	1	LEFT MOVEMENT ARM
MA636	2	MOVEMENT ARM SWIVEL
OPT-WT-26	1	EVO 200 lb Weight System
SB602B	1	S3HAA SEAT BACK
SF615	1	NITRO HAA SEAT FRAME
UP8146	2	NITRO HAA KNEE PAD
UP8147	1	SEAT BOTTOM



S9AA

Customer Service & Parts 800/ 235-2233
 General Parts Requests: parts@medfitsys.com
 Warranty Field Service Requests: servicerequest@medfitsys.com
 Med-Fit Systems, Inc. 800/ 831-7665

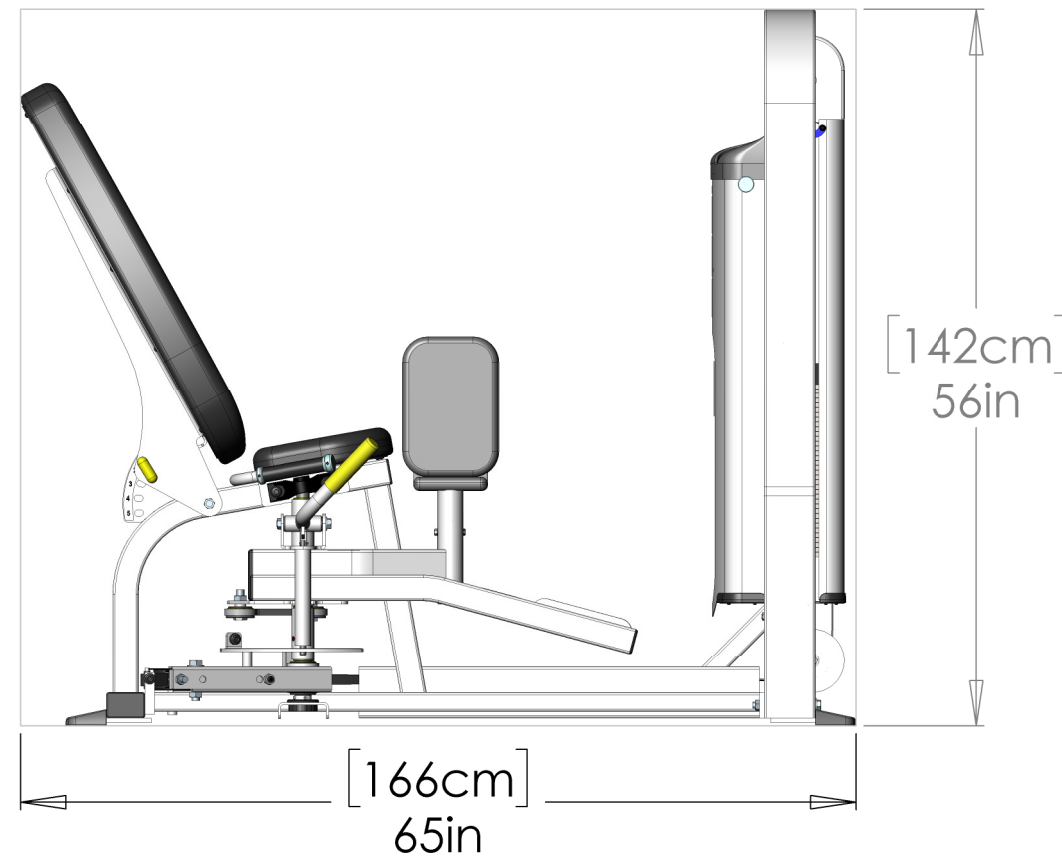
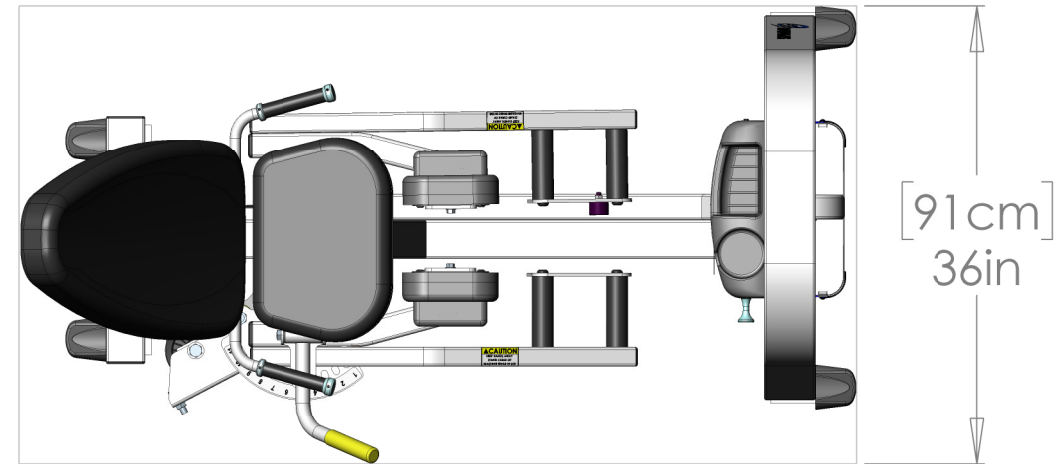
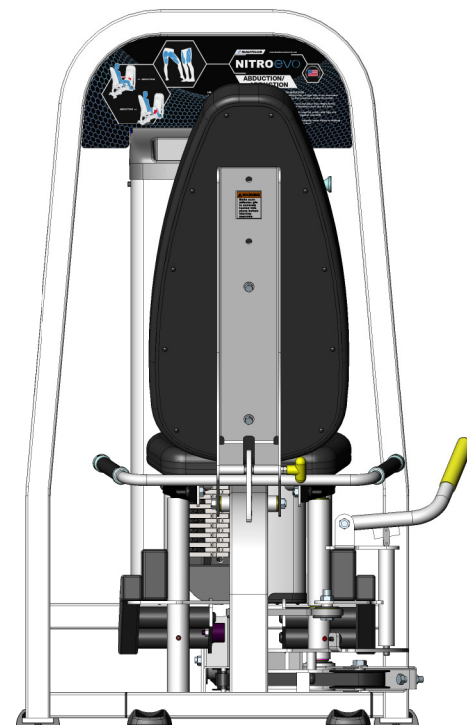
www.medfitsystems.com

Size	Grade 5	Grade 8
	Torque (ft-lbs)	Torque (ft-lbs)
1/4-20	8	12
1/4-28	10	14
5/16-18	17	25
3/8-16	30	45
7/16-14	50	70
1/2-13	75	110
1/2-20	90	120
5/8-11	150	220
5/8-18	180	240



Customer Service & Parts 800/ 235-2233
General Parts Requests: parts@medfitsys.com
Warranty Field Service Requests: servicerequest@medfitsys.com
Med-Fit Systems, Inc. 800/ 831-7665

www.medfitsystems.com



S9AA

REV M